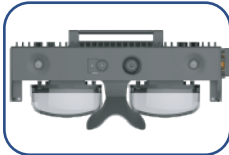


# SlimEdge XR Starter Kit-B50

A spatial perception, interaction, and AI platform for AR

## Starter Package



**SlimEdge XR**  
AR HW engines



**SlimEdge CP**  
Computing Pack



**SlimEdge SDK**  
AR/AI/CV SDK



**SlimEdge TC**  
Tool Chains

## Optical Spec

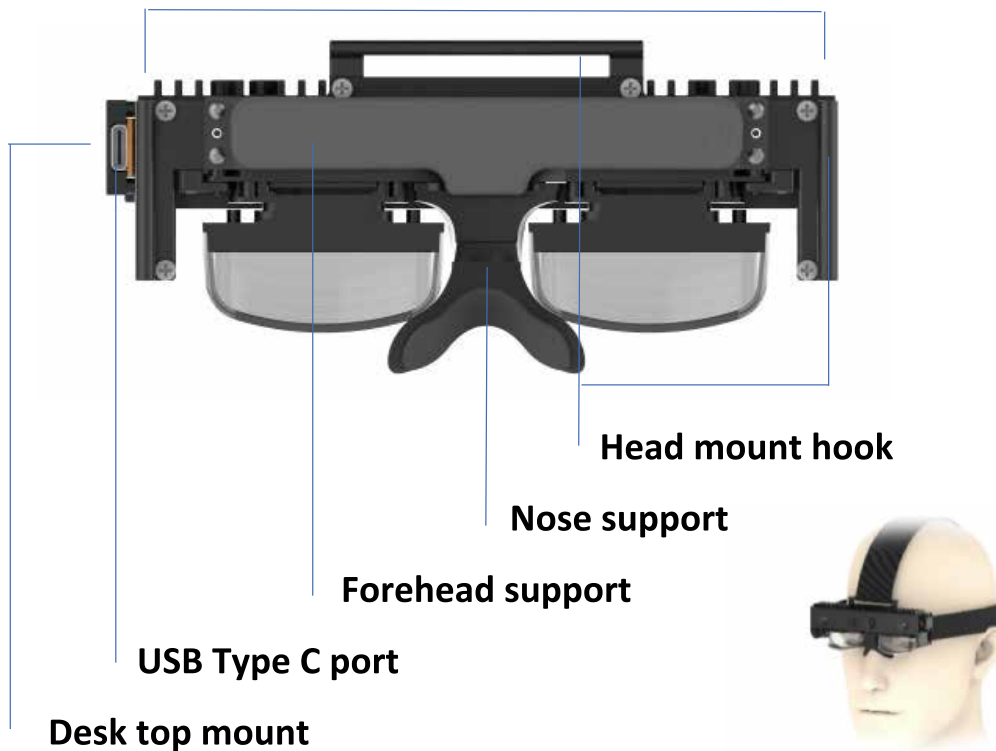
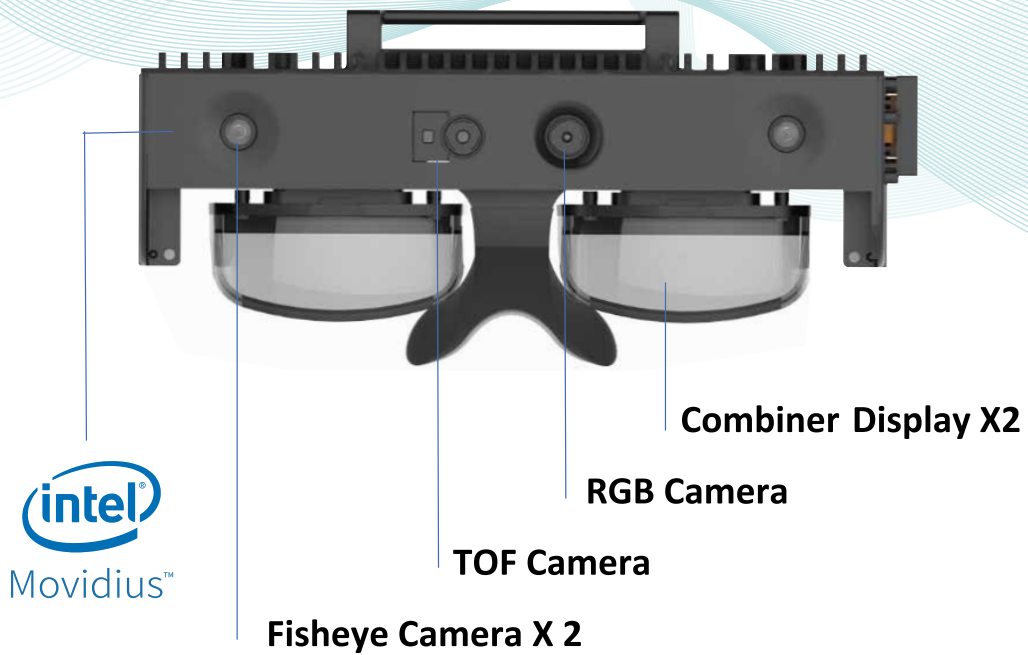
Item	Spec	Remark
Optical Combiner	Birdbath Optics	Huynew Optics
Display Panel	1920X1080X2	Sony 0.7" OLED
Frame Rate	60fps	
FOV	50°	Diagonal
IPD	63mm	
Eye Relief	20mm	
Luminance	300 nit	Max
Transmittance	30%	

## System Spec

Item	Spec	Remark
<b>Processor</b>	<b>Intel Movidius Myriad X</b>	<b>4T computing power</b>
<b>Cameras   Sensors</b>		
-Stereo Fish Eye	VGA, HFOV130, 100fps	Mono, Global shutter
-RGB	13M, DFOV70, 30fps	H.265, JPEG supported
-TOF	HQVGA, DFOV70,30fps	0.2-4m ,1% accuracy
IMU	9 Axis	1000Hz
<b>SLAM Engine   GDOF</b>	<b>500-1000Hz, mm accuracy</b>	<b>On board, Multiple modes</b>
Depth Engine	TOF   Stereo	High accuracy   High Speed
AI Engine	Hardware CNN engine	Edge Inferencing
CV Engine	On Edge   On Host	Open CV support
Power consumption	< 5W	Depends on display brightness
Interface	USB Type C	DP for video output
Weight   Size	TBD   143x42x63 mm	LxWxH(mm)
Computing Pack   OS	Snapdragon 835   845+5G	6000mAh Battery   Nibiru

*Innovating machine perception capability beyond human capacity*

[www.xvisiotech.com](http://www.xvisiotech.com) | +86 21 5290 0903 | [contact@xvisiotech.com](mailto:contact@xvisiotech.com)



*Innovating machine perception capability beyond human capacity*

[www.xvisiotech.com](http://www.xvisiotech.com) | +86 21 5290 0903 | [contact@xvisiotech.com](mailto:contact@xvisiotech.com)